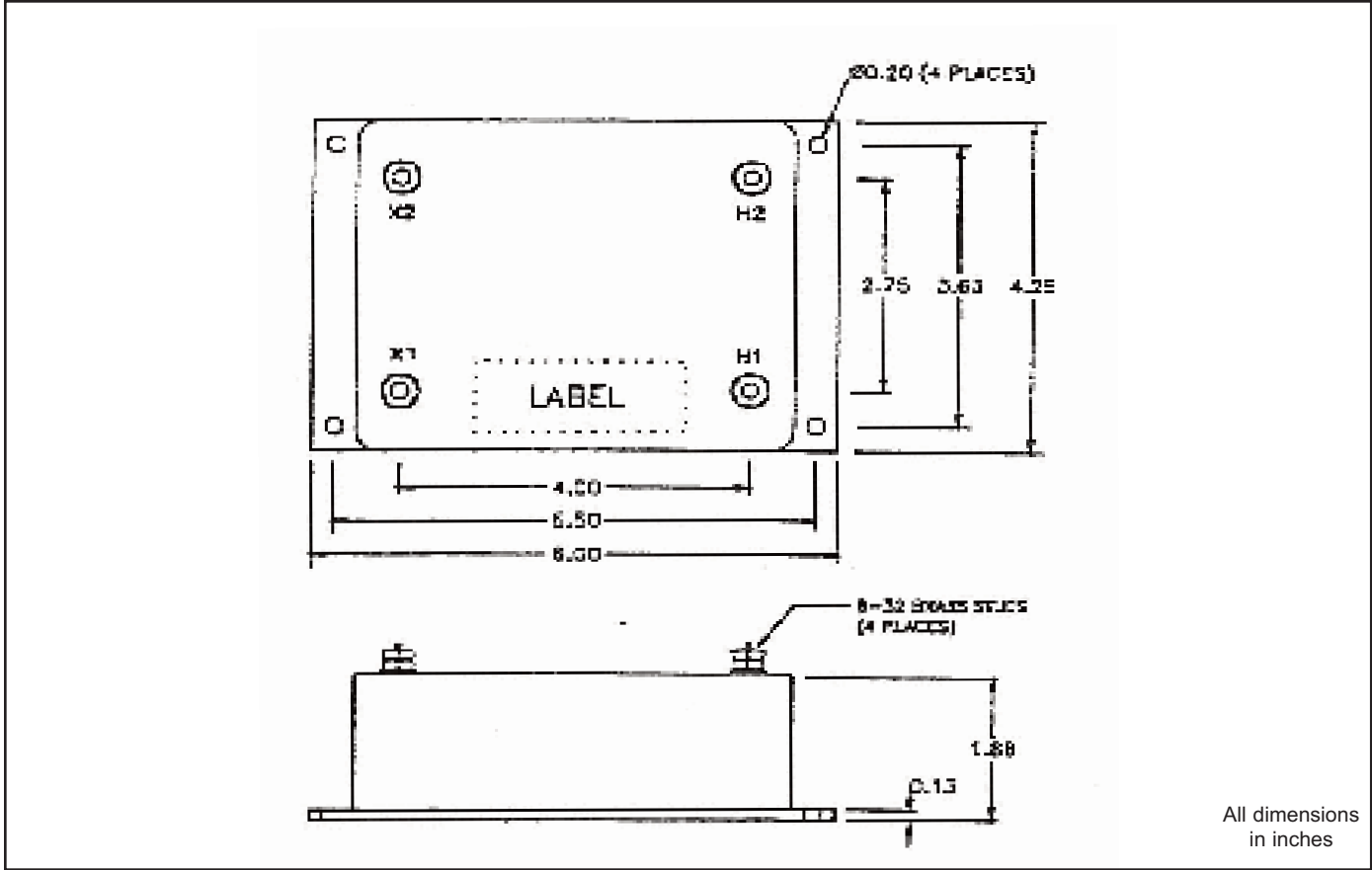




Panel Components & Systems, Inc.
 Tel.: +1 (800) 523-9194
 +1 (973) 448-9400
 www.pc-s.com

1 PHASE
 POTENTIAL TRANSFORMER
MODEL 2660

75 VA
 REV. 13OCT15



All dimensions in inches

Specifications

- Thermal rating 75VA @ 30°C Ambient; 50VA @ 55°C Ambient
- Accuracy ± 0.6% at 7.5VA, 60Hz
- Conforms to ANSI C57.13 and applicable IEC standards
- Insulation voltage class is 0.6KV BIL 10KV
- Other voltages and ratios available. Contact PC&S for details and information.
- Durable and cost-effective phenolic housing
- UL rated 94-VO

PART NUMBER	VOLTAGE RATING	FREQUENCY	RATIO
2660-01	208:120V	60Hz	1.73:1
2660-02	240:120V	60Hz	2:1
2660-03	380:120V	50 / 60Hz	3.17:1
2660-04	480:120V	60Hz	4:1
2660-05	600:120V	60Hz	5:1
2660-06	277:120V	60Hz	2.31:1
2660-07	120:120V	60Hz	1:1
2660-051	690:120V	60Hz	5.75:1
2660-052	690:230V	60Hz	3:1