

Cam Switches

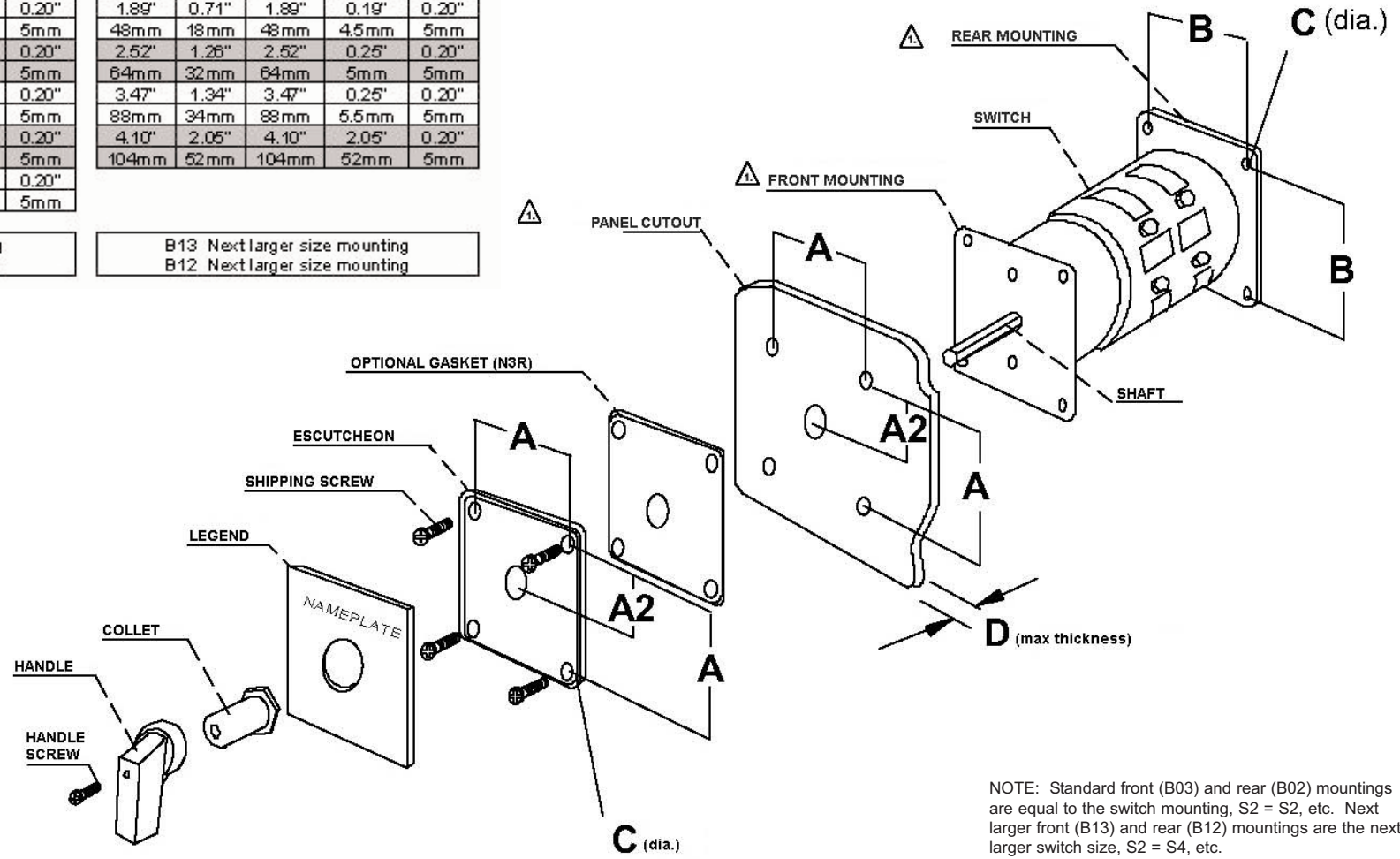
M, S2, S4, S6 and S8 Exploded View

| | A | A2 | B | C | D |
|-----------|-------|-------|-------|-------|-------|
| M | 1.42" | 0.94" | 2.36" | 0.18" | 0.20" |
| | 36mm | 24mm | 60mm | 4.5mm | 5mm |
| S2 | 1.89" | 0.71" | 1.89" | 0.19" | 0.20" |
| | 48mm | 18mm | 48mm | 4.5mm | 5mm |
| S4 | 2.52" | 1.34" | 3.47" | 0.25" | 0.20" |
| | 64mm | 34mm | 88mm | 5.5mm | 5mm |
| S6 | 3.47" | 1.34" | 3.47" | 0.25" | 0.20" |
| | 88mm | 34mm | 88mm | 5.5mm | 5mm |
| S8 | 4.10" | 2.05" | 4.10" | 2.05" | 0.20" |
| | 104mm | 52mm | 104mm | 52mm | 5mm |

| A | A2 | B | C | D |
|-------|-------|-------|-------|-------|
| 1.89" | 0.71" | 1.89" | 0.19" | 0.20" |
| 48mm | 18mm | 48mm | 4.5mm | 5mm |
| 2.52" | 1.26" | 2.52" | 0.25" | 0.20" |
| 64mm | 32mm | 64mm | 5mm | 5mm |
| 3.47" | 1.34" | 3.47" | 0.25" | 0.20" |
| 88mm | 34mm | 88mm | 5.5mm | 5mm |
| 4.10" | 2.05" | 4.10" | 2.05" | 0.20" |
| 104mm | 52mm | 104mm | 52mm | 5mm |

B03 Standard front mounting
B02 Standard rear mounting

B13 Next larger size mounting
B12 Next larger size mounting



NOTE: Standard front (B03) and rear (B02) mountings are equal to the switch mounting, S2 = S2, etc. Next larger front (B13) and rear (B12) mountings are the next larger switch size, S2 = S4, etc.

1 800 523-9194 • www.pc-s.com

PANEL COMPONENTS & SYSTEMS, INC.
USA: 149 Main Street, Stanhope, NJ 07874
Telephone: (973) 448-9400 Fax: (973) 448-1674

Power Measurement and Control Specialists

Your Local PC&S Representative:



CANADA: 213 Jespersen Ave., Spruce Grove, Alberta T7X 2J1
Telephone: (877) 962-0557 Fax: (780) 962-0557