

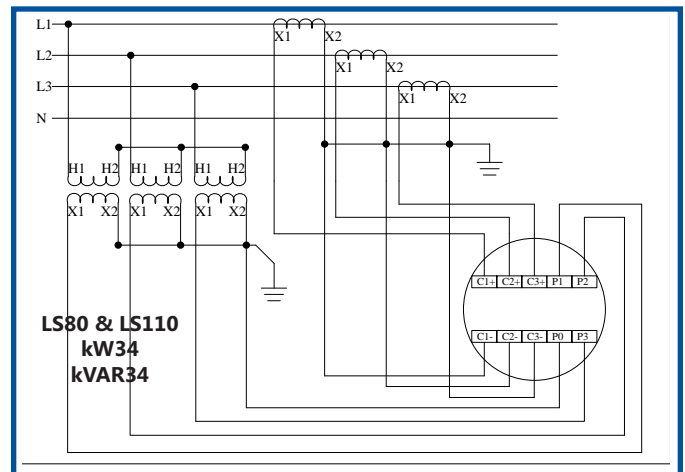
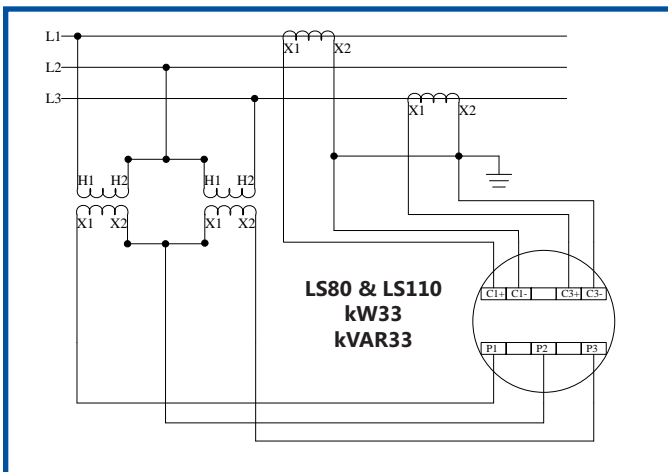
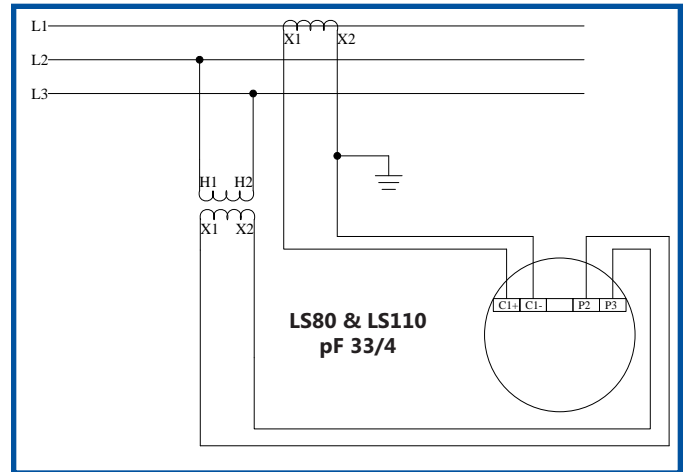
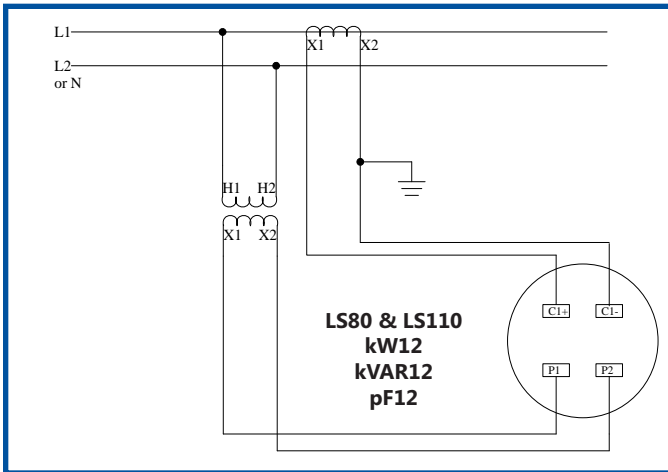
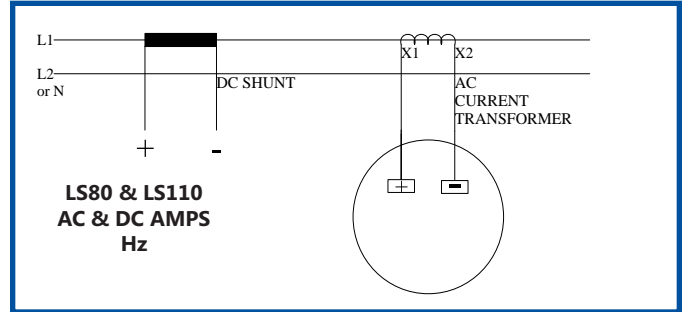
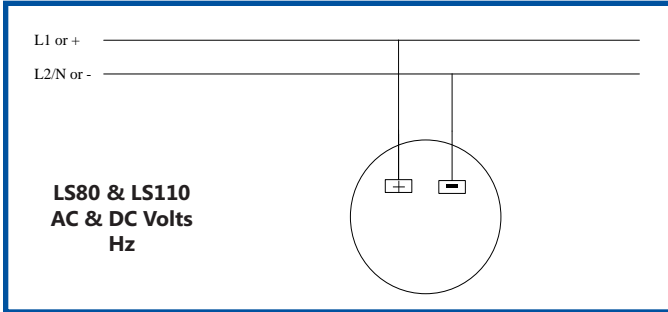
Analog Meters

LS110 / LS80

4.5" / 3.25" Switchboard style
AC and DC meters



WIRING



For more information on this product, please contact:
PC&S, Inc. at +1 (800) 523-9194 or +1 (973) 448-9400
www.pc-s.com