

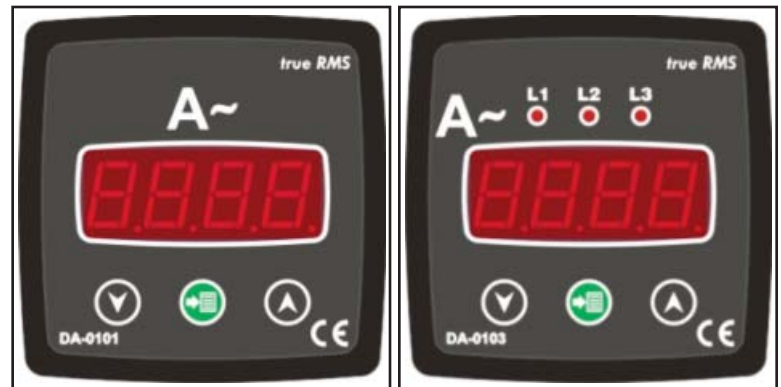
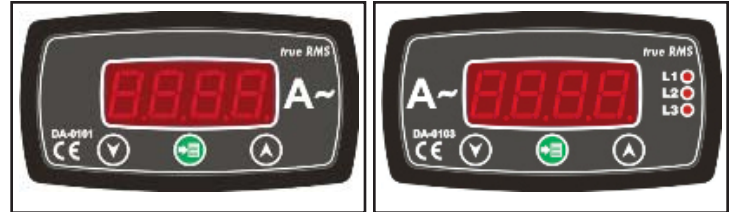
Digital Meter

DA-0101 / DA-0103

Single-Phase / 3-Phase AC Ammeter
with True RMS measurement

TECHNICAL SPECIFICATIONS

- ❑ **Power Supply Input:**
75 - 275V,AC
50 - 60Hz nominal ($\pm 10\%$)
- ❑ **Measurement Inputs:**
0.2 - 5.50 A,AC
30 - 100Hz
- ❑ **Accuracy:**
0.5% + 1 digit
- ❑ **Power Consumption:**
<1.5W
- ❑ **Current Burden:**
<1VA per phase
- ❑ **Operating Temperature:**
-40°F to 176°F (-40°C to +80°C)
- ❑ **Maximum Humidity:**
95% non-condensing
- ❑ **Enclosure:**
Non-flammable, ROHS compliant, high temperature
ABS/PC (UL94-V0)
- ❑ **Installation:**
Flush mounting with rear retaining brackets
- ❑ **Dimensions (W x H x D):**
96 x 48mm models: 102 x 54 x 41mm
72 x 72mm models: 78 x 78 x 41 mm
96 x 96mm models: 102 x 102 x 41 mm
- ❑ **Panel Cutout dimensions (W x H):**
96 x 48mm models: 92 x 44 mm
72 x 72mm models: 68 x 68 mm
96 x 96mm models: 92 x 92 mm
- ❑ **Weight:**
0.28 lbs. (125 grams) for 96 x 48mm
0.40 lbs. (185 grams) for 96 x 96mm



DESCRIPTION

These state-of-the-art panel meters are designed for accurate measurement of AC RMS current in single-phase systems. Units for 3-phase systems are also available.

Three DIN sizes: 96 x 48mm; 72 x 72mm and 96 x 96mm. They integrate perfectly into an unlimited variety of applications. The case design allows them to be installed simply and easily, without the use of traditional termination and no extra terminal kits or soldering to internal PCBs.

The current transformer ratio can be set between 5/5A to 5000/5A via front panel buttons.

Devices have separate inputs for supply and measurement.



For more information or the latest certifications, please contact:
PC&S, Inc. at +1 (800) 523-9194 or +1 (973) 448-9400

www.pc-s.com

DA-0101 / DA-0103 Digital Ammeter

TECHNICAL SPECIFICATIONS

Power Supply Input	75 - 275V,AC 50 - 60Hz nominal ($\pm 10\%$) Different supply voltages available	Operating Temperature	-40°F to 176°F (-40°C to +80°C)
Measurement Input Range		Maximum Humidity	95% non-condensing
Voltage:	10 - 300V,AC (L-N)	Degree of Protection	IP 54 - front panel IP 30 - back panel
Current:	0.2 - 5.5A,AC	Enclosure	Non-flammable, ROHS compliant
Frequency:	30 - 100 Hz	Installation	Flush mounting with rear brackets
Accuracy		Dimensions	72mm: 78x78x41mm (3.07" W x 3.07" H) 96x48mm: 96x48mm (3.78" W x 1.89" H) 72mm: 68x68mm (2.67" W x 2.67" H) 0.77 lbs.
Volts-Amps-Hz:	0.5% + 1 digit	Panel Cutout	
kW:	1.0% + 2 digit	Weight	
cos:	2.0% + 2 digit	Applied Standards	
Power Consumption	<1.5W	General:	LVD: 2006/95/EC EMC: 2004/108/EC
Voltage Burden	<0.1VA per phase	Safety:	Safety: EN61010 EMC: EN61326
Current Burden	<1VA per phase		
Display	1999 full scale digits 14.2mm (0.56") 7 segment red		

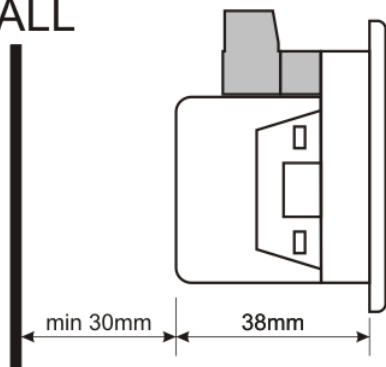
ORDERING INFORMATION

Part Number	Description	Input / Aux Supply
DA-0101-1-1	1 display, 96 x 48mm	120V,AC
DA-0101-1-2	1 display, 96 x 48mm	240V,AC
DA-0101-2-1	1 display, 72 x 72mm	120V,AC
DA-0101-2-2	1 display, 72 x 72mm	240V,AC
DA-0103-2-1	3 display, 72 x 72mm	120V,AC
DA-0103-2-2	3 display, 72 x 72mm	240V,AC

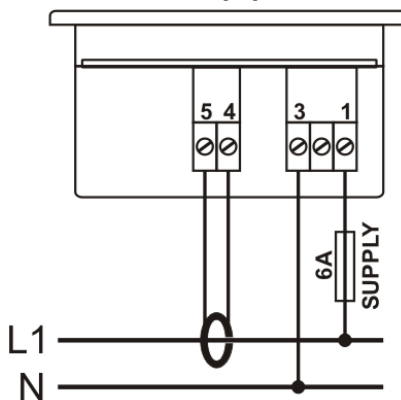
TYPICAL CONNECTIONS

MOUNTING TOLERANCES AND PANEL CUTOUT

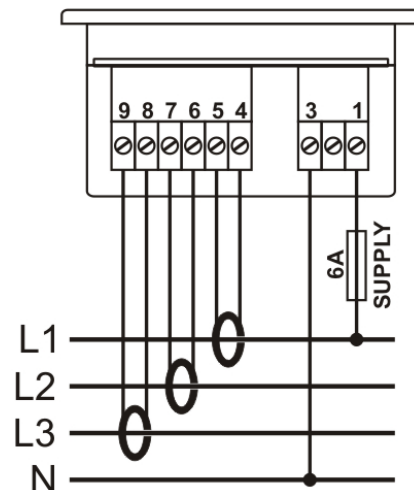
WALL



DA-0101



DA-0103



www.pc-s.com

For more information and certifications, please contact:

Panel Components & Systems, Inc. ■ Phone: (800) 523-9194 ■ info@pc-s.com

Main Office:

Stanhope, NJ

Phone: (973) 448-9400

South East:

Charlotte, NC

Phone: (704) 535-3357

South Central:

Tulsa, OK

Phone: (862) 258-6974

Canada:

Edmonton, AB

Phone: (877) 962-0557