



Panel Components & Systems, Inc.  
Tel.: +1 (800) 523-9194  
+1 (973) 448-9400  
www.pc-s.com

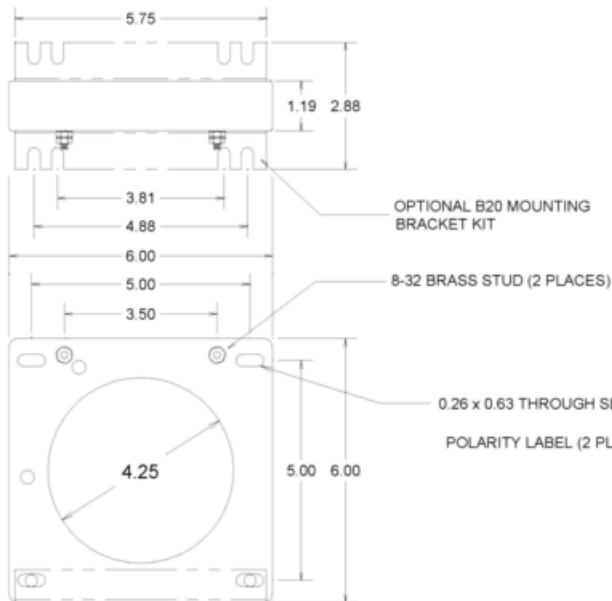
# CURRENT TRANSFORMER MODEL ND

4.25" ID

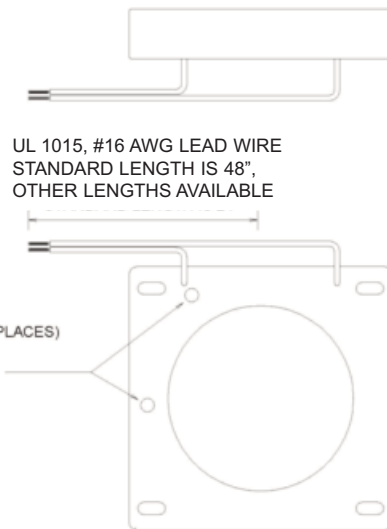
PAGE NO. 1-2

REV. 08DEC10

## SIDE TERMINAL (OPTION)



## LEAD WIRE (OPTION)



## TOP TERMINAL (STANDARD)



### Specifications

- Secondary sources 5 amps AC at rated F.S. primary current
- Nominal operating frequency range is 50-400Hz
- Thermal rating factor is 1.33 @ 30°C for ratios 4250:5A; 1.15 @ 30°C for ratios above 4250:5A
- Insulation voltage class is 0.6KV BIL 10KV
- Conforms to provisions of IEEE C57.13 and IEC 44-1
- Enclosure is made of glass-filled nylon, color is black
- For indoor applications only
- Optional bracket is steel

### Options (Contact PC&S for Further Information)

- UL and Canadian UL Recognized Component. File E172027
- 2.0, 5.0 and 10VAC output at F.S. primary amperage. Other non-standard ratings also available.
- 1A, 0.2A and 0.1A output at F.S. primary amperage. Other non-standard ratings also available.
- 8-32 Brass Stud Terminals or #16 AWG UL 1015 Lead Wires Choice of stud location.
- Thermal ratings above 1.33 for selected ratios.
- Center tap and custom multi-tap winding arrangements
- Custom lead wire lengths and types
- Available with B20 bracket kit. See Bracket Data Section for dimensions.

4.25" ID

PAGE NO. 2-2

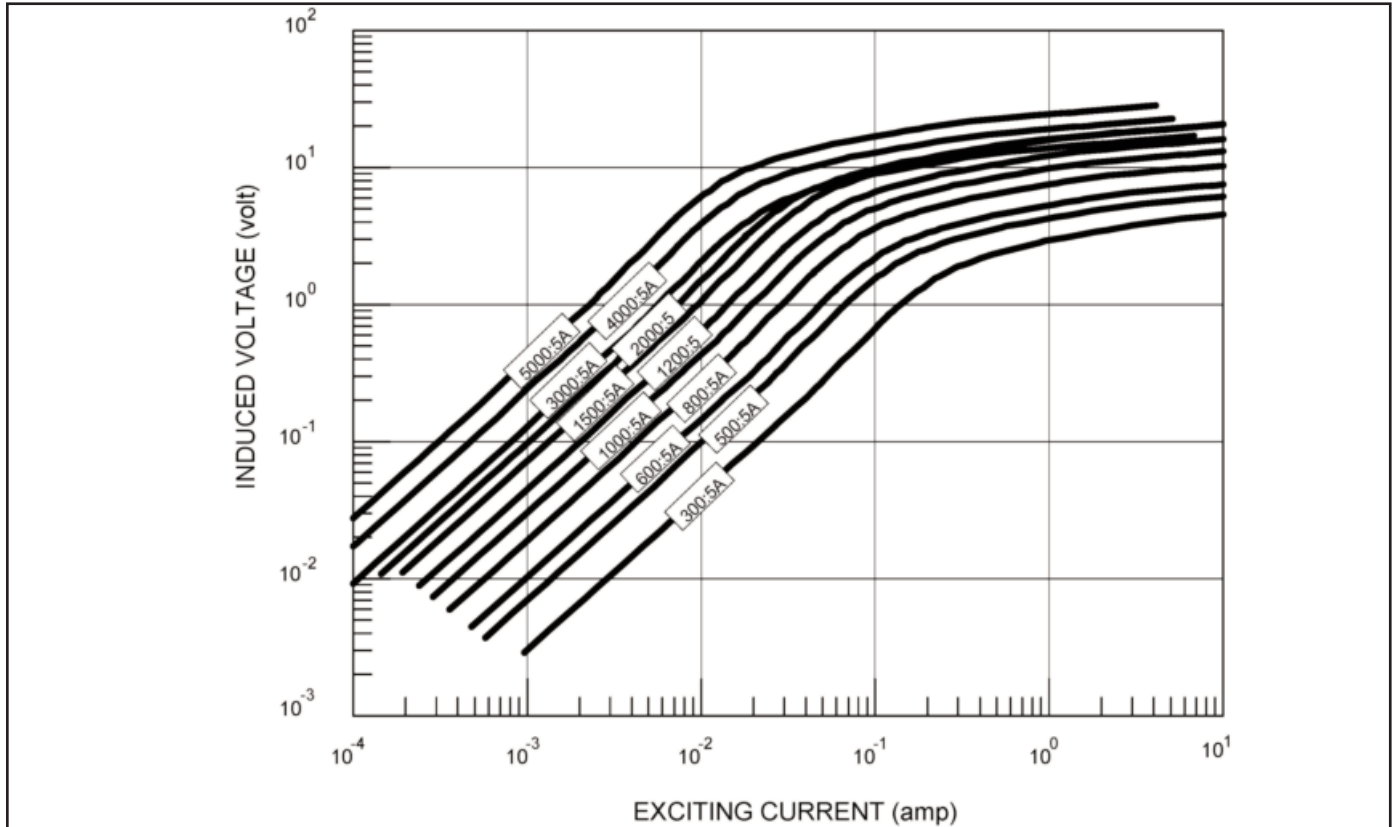
REV. 08DEC10

CURRENT TRANSFORMER  
**MODEL ND**



Panel Components & Systems, Inc.  
Tel.: +1 (800) 523-9194  
+1 (973) 448-9400  
www.pc-s.com

**TYPICAL EXCITATION CURVE FOR MODEL ND at 60HZ**



| PART NUMBER* | RATIO   | ACCURACY @ 60HZ |             | NOMINAL WINDING RESISTANCE (ohm) |
|--------------|---------|-----------------|-------------|----------------------------------|
|              |         | ± %             | BURDEN (VA) |                                  |
| ND300TT      | 300:5A  | 1.5             | 2.0         | 0.07                             |
| ND500TT      | 500:5A  | 1.0             | 2.5         | 0.11                             |
| ND600TT      | 600:5A  | 1.0             | 4.0         | 0.14                             |
| ND800TT      | 800:5A  | 1.0             | 8.5         | 0.18                             |
| ND1000TT     | 1000:5A | 1.0             | 15          | 0.22                             |
| ND1200TT     | 1200:5A | 1.0             | 20          | 0.27                             |
| ND1500TT     | 1500:5A | 1.0             | 25          | 0.33                             |
| ND1600TT     | 1600:5A | 1.0             | 30          | 0.36                             |
| ND2000TT     | 2000:5A | 1.0             | 25          | 0.41                             |
| ND2500TT     | 2500:5A | 1.0             | 25          | 0.52                             |
| ND3000TT     | 3000:5A | 1.0             | 20          | 0.54                             |
| ND4000TT     | 4000:5A | 1.0             | 25          | 0.76                             |
| ND5000TT     | 5000:5A | 1.0             | 30          | 1.2                              |
|              |         |                 |             |                                  |
|              |         |                 |             |                                  |

\* Use suffix "ST" (instead of TT) at end of part number to indicate side terminal option; "B20" to indicate the optional B20 mounting kit; "Lxx" to indicate lead wire option where "xx" represents length in inches (e.g., L48 for 48" leads).