



Panel Components & Systems, Inc.
 Tel.: +1 (800) 523-9194
 +1 (973) 448-9400
 www.pc-s.com

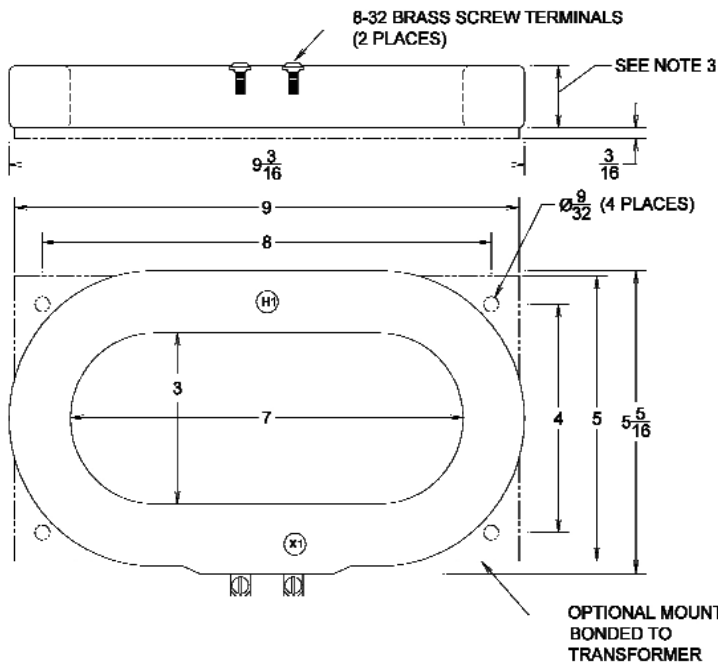
CURRENT TRANSFORMER
MODEL J1

3" x 7"

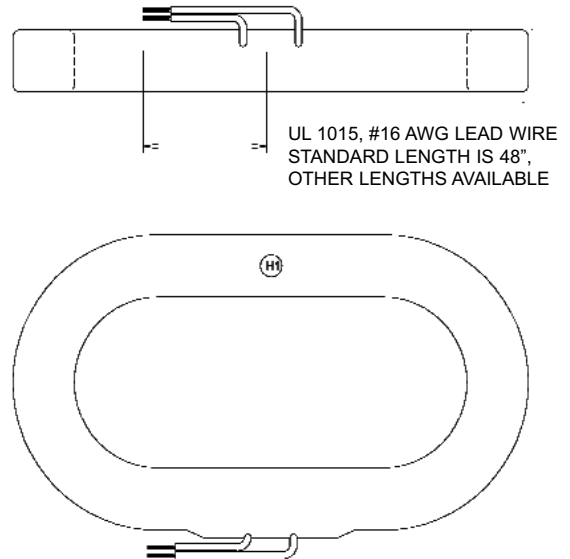
PAGE NO. 1-2

REV. 18DEC00

TERMINAL (STANDARD)



LEAD WIRE (OPTION)



NOTES

- 1). ALL DIMENSIONS IN INCHES
- 2). ALL DIMENSIONS REF ONLY
- 3). HT = 1-1/2 FOR RATIOS UP TO 1750:5A
 HT = 1-3/8 FOR RATIOS 1750:5A TO 3000:5A
 HT = 1-1/8 FOR RATIOS ABOVE 3000:5A



Specifications

- Secondary sources 5 amps AC at rated F.S. primary current
- Nominal operating frequency range is 50-400Hz
- Thermal rating factor is 1.33 @ 30°C for all ratios
- Insulation voltage class is 0.6KV BIL 10KV
- For indoor applications only
- Reference documents IEEE C57.13, UL1244, CSA CAN3-C13-M83 and IEC 44-1
- Enclosure is multi-layer tape buildup with heavy vinyl finish, color is black.
- Optional mounting plate is XX phenolic
- UL and Canadian UL Recognized Component File E172027

Options (Contact PC&S for Further Information)

- 2.0, 5.0 and 10VAC output at F.S. primary amperage. Other non-standard ratings also available.
- 1.0A, 0.2A and 0.1A output at F.S. primary amperage. Other non-standard ratings also available.
- 8-32 Brass Stud terminals or #16 AWG UL 1015 Lead Wires
- Custom lead wire lengths and types
- Thermal ratings above 1.33 for selected ratios.
- Available with BB4 bus bar brackets. See Bracket Data Sheet section for dimensions.

3" x 7"

PAGE NO. 2-2

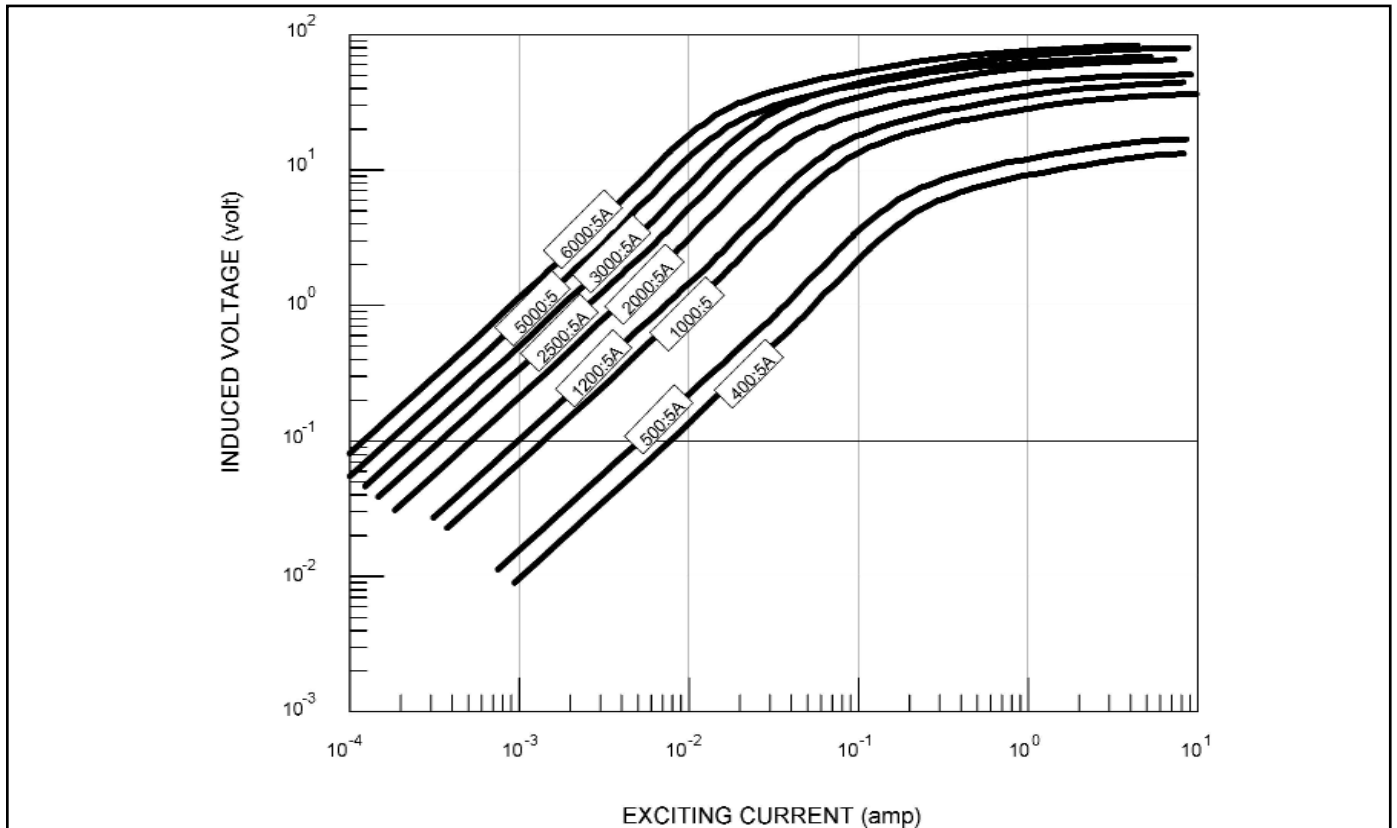
REV. 18DEC00

CURRENT TRANSFORMER
MODEL J1



Panel Components & Systems, Inc.
Tel.: +1 (800) 523-9194
+1 (973) 448-9400
www.pc-s.com

TYPICAL EXCITATION CURVE FOR MODEL J1 at 60HZ



PART NUMBER*	RATIO	ACCURACY @ 60HZ		NOMINAL WINDING RESISTANCE (ohm)
		± %	BURDEN (VA)	
J1400T	400:5A	1.0	5.0	0.09
J1500T	500:5A	1.0	8.0	0.12
J1600T	600:5A	1.0	12	0.17
J11000T	1000:5A	1.0	35	0.28
J11200T	1200:5A	1.0	55	0.34
J11500T	1500:5A	1.0	75	0.52
J11600T	1600:5A	1.0	75	0.55
J12000T	2000:5A	1.0	65	0.73
J12500T	2500:5A	1.0	85	0.91
J13000T	3000:5A	1.0	100	1.1
J14000T	4000:5A	1.0	75	1.1
J15000T	5000:5A	1.0	85	1.4
J16000T	6000:5A	1.0	100	1.7

* Use suffix "Lxx" at the end of part number to indicate lead wires where "xx" represents length in inches (e.g., L48 for 48" leads). Use "P" suffix for optional mounting plate.