



Panel Components & Systems, Inc.
Tel.: +1 (800) 523-9194
+1 (973) 448-9400
www.pc-s.com

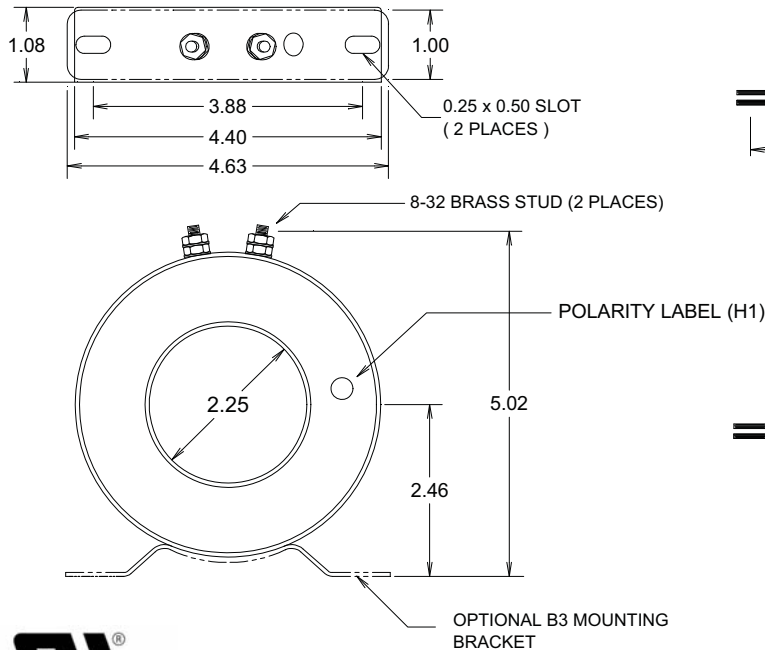
CURRENT TRANSFORMER MODEL A

2.25" ID

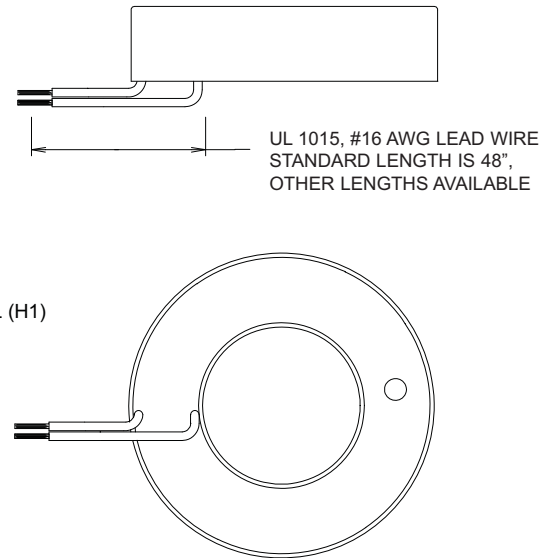
PAGE NO. 1-2

REV. 14DEC00

TERMINAL (OPTION)



LEAD WIRE (STANDARD)



NOTE:
1) ALL DIMENSIONS IN INCHES
2) ALL DIMENSIONS REF ONLY

Specifications

- Secondary sources 5 amps AC at rated F.S. primary current
- Nominal operating frequency range is 50-400Hz
- Thermal rating factor is 1.33 @ 30°C for ratios 1000:5A; 1.15 @ 30°C for ratios above 1000:5A
- Insulation voltage class is 0.6KV BIL 10KV
- Reference documents IEEE C57.13, UL1244, and IEC 44-1
- Enclosure is made of glass-filled nylon, color is black
- For indoor applications only
- Optional bracket is aluminum

Options (Contact PC&S for Further Information)

- UL and Canadian UL Recognized Component. File E172027
- 2.0, 5.0 and 10VAC output at F.S. primary amperage. Other non-standard ratings also available.
- 1A, 0.2A and 0.1A output at F.S. primary amperage. Other non-standard ratings also available.
- 8-32 Brass Stud Terminals or #16 AWG UL 1015 Lead Wires
- Custom lead wire lengths and types
- Thermal ratings above 1.33 for selected ratios.
- Available with B1 and B31 brackets. See Bracket Data sheet for dimensions.
- Center tap and custom multi-tap winding arrangements

2.25" ID

PAGE NO. 2-2

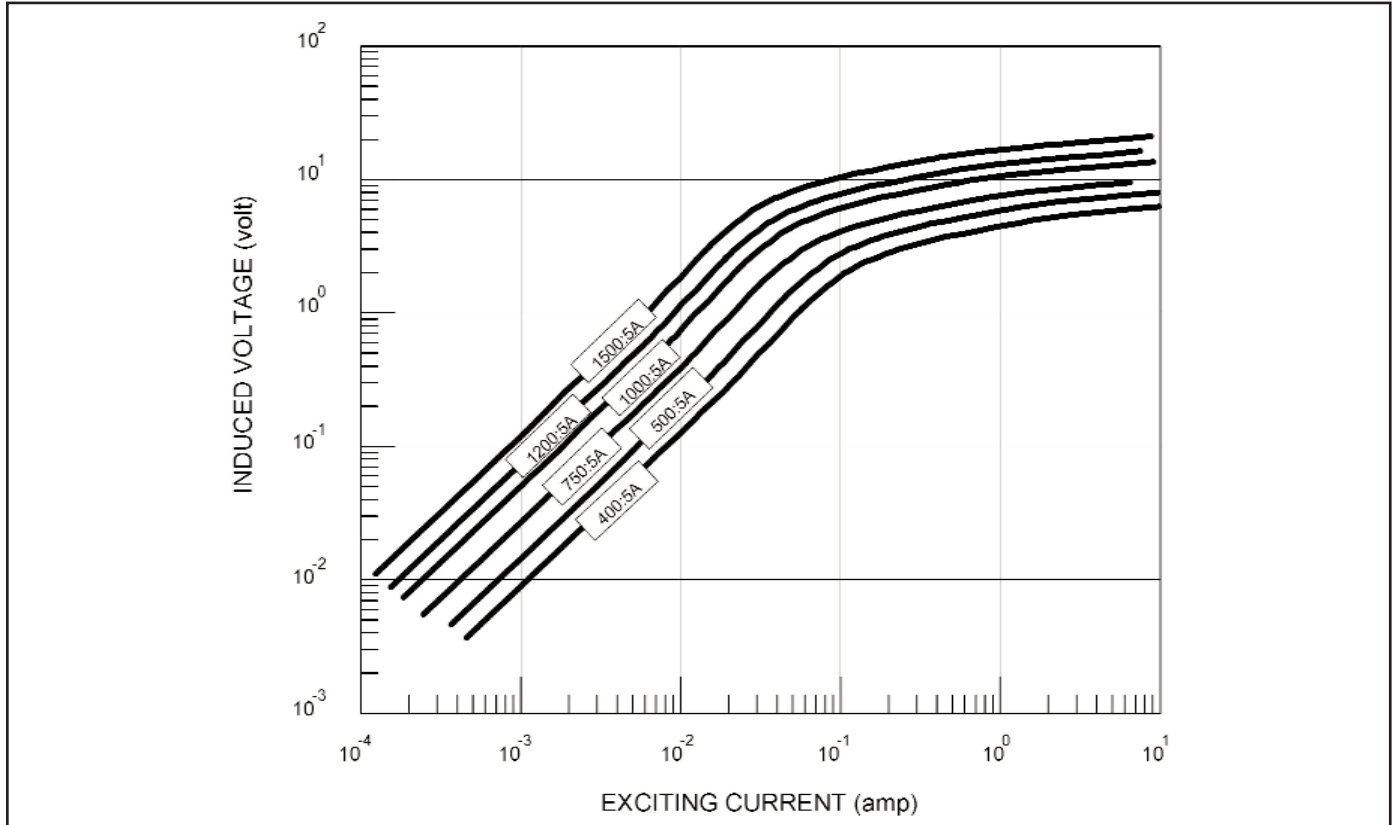
REV. 14DEC00

CURRENT TRANSFORMER MODEL A



Panel Components & Systems, Inc.
Tel.: +1 (800) 523-9194
+1 (973) 448-9400
www.pc-s.com

TYPICAL EXCITATION CURVE FOR MODEL A at 60HZ



PART NUMBER*	RATIO	ACCURACY @ 60HZ		NOMINAL WINDING RESISTANCE (ohm)
		± %	BURDEN (VA)	
A200L48	200:5A	1.0	2	0.02
A250L48	250:5A	1.0	3	0.05
A300L48	300:5A	1.0	4.5	0.06
A400L48	400:5A	1.0	4.0	0.11
A500L48	500:5A	1.0	6.5	0.13
A600L48	600:5A	1.0	7.5	0.15
A700L48	700:5A	1.0	12.5	0.18
A800L48	800:5A	1.0	12.5	0.20
A1000L48	1000:5A	1.0	17.5	0.25
A1200L48	1200:5A	1.0	22	0.30
A1500L48	1500:5A	1.0	30	0.39

* Use suffix "T" at end of part number to indicate brass terminal top option; use suffix "B" to indicate optional B3 mounting bracket.