



Panel Components & Systems, Inc.
Tel.: +1 (800) 523-9194
+1 (973) 448-9400
www.pc-s.com

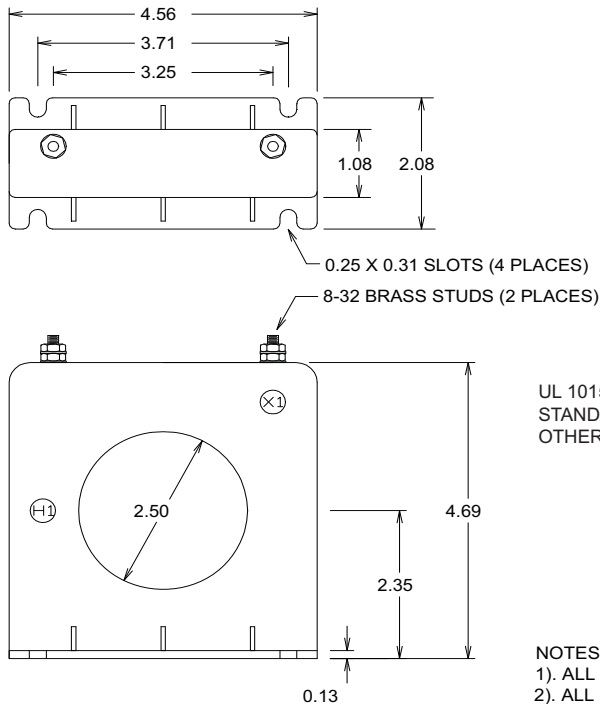
CURRENT TRANSFORMER MODEL 653F

2.50" ID

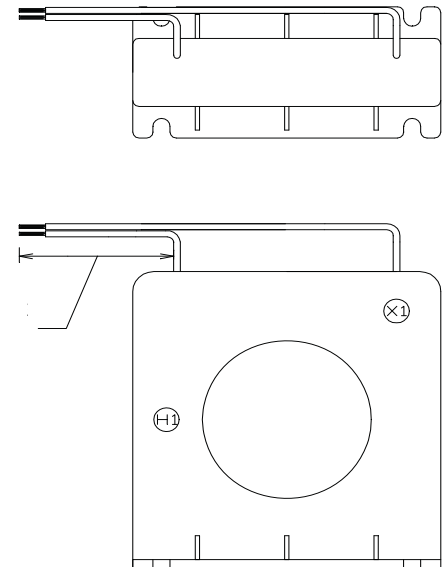
PAGE NO. 1-2

REV. 18DEC00

TERMINAL (STANDARD)



LEAD WIRE (OPTION)



UL 1015, #16 AWG LEAD WIRE
STANDARD LENGTH IS 48",
OTHER LENGTHS AVAILABLE

NOTES
1). ALL DIMENSIONS IN INCHES
2). ALL DIMENSIONS REF ONLY



Specifications

- Secondary sources 5 amps AC at rated F.S. primary current
- Nominal operating frequency range is 50-400Hz
- Thermal rating factor is 1.33 @ 30°C for ratios 1000:5A;
1.15 @ 30°C for ratios above 1000:5A
- Insulation voltage class is 0.6KV BIL 10KV
- Reference documents IEEE C57.13, UL1244, and IEC 44-1
- Enclosure is made of glass-filled nylon, color is black
- For indoor applications only

Options (Contact PC&S for Further Information)

- UL and Canadian UL Recognized Component. File E172027
- 2.0, 5.0 and 10VAC output at F.S. primary amperage. Other non-standard ratings also available.
- 1A, 0.2A and 0.1A output at F.S. primary amperage. Other non-standard ratings also available.
- 8-32 Brass Stud Terminals or #16 AWG UL 1015 Lead Wires
- Custom lead wire lengths and types
- Thermal ratings above 1.33 for selected ratios.
- Housing with or without mounting flange (See Model 653 for non-flange design.)
- Center tap and custom multi-tap winding arrangements

2.50" ID

PAGE NO. 2-2

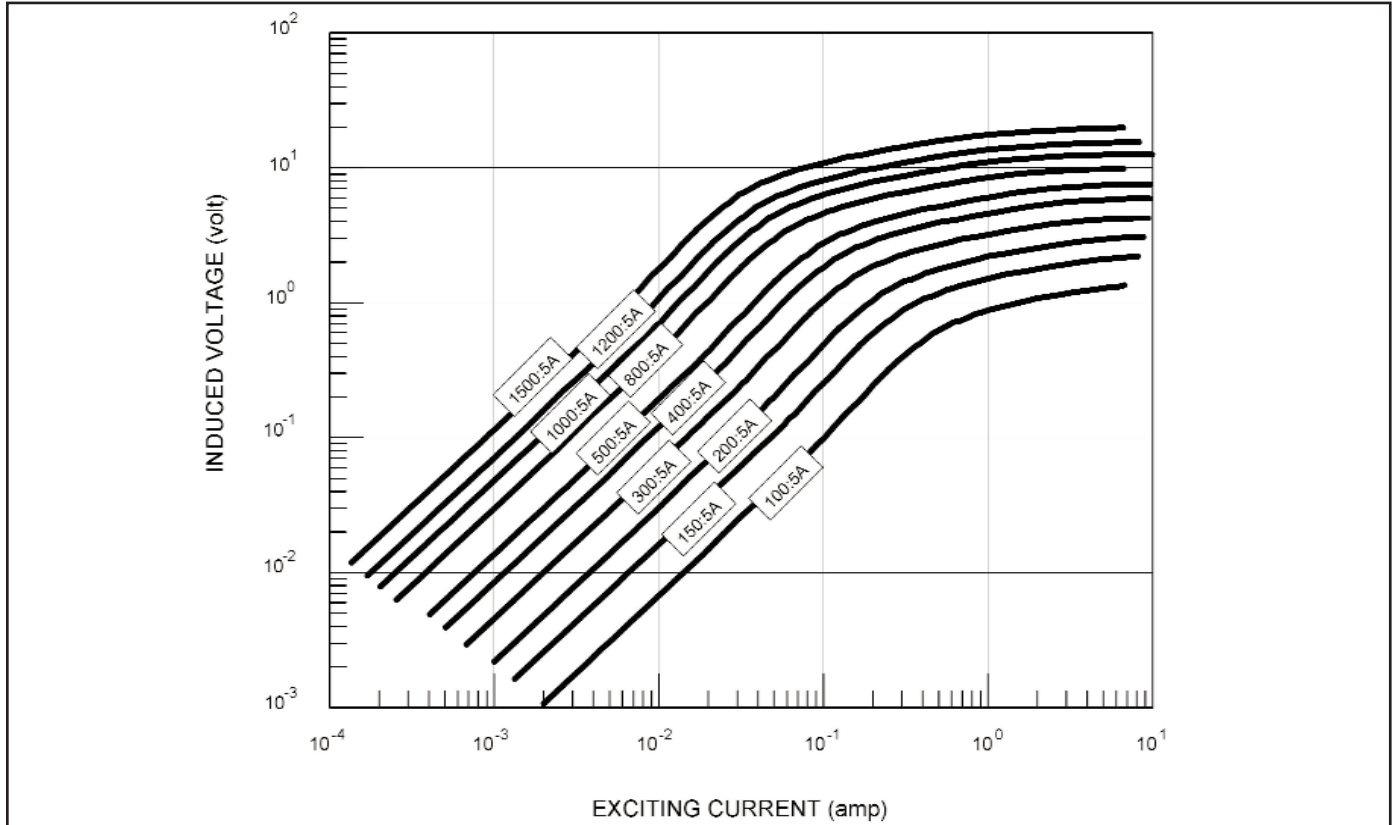
REV. 18DEC00

CURRENT TRANSFORMER
MODEL 653F



Panel Components & Systems, Inc.
Tel.: +1 (800) 523-9194
+1 (973) 448-9400
www.pc-s.com

TYPICAL EXCITATION CURVE FOR MODEL 653F at 60HZ



PART NUMBER*	RATIO	ACCURACY @ 60HZ		NOMINAL WINDING RESISTANCE (ohm)
		± %	BURDEN (VA)	
653F100T	100:5A	3.0	2.0	0.02
653F150T	150:5A	1.5	2.0	0.03
653F200T	200:5A	1.0	2.0	0.04
653F250T	250:5A	1.0	2.0	0.04
653F300T	300:5A	1.0	2.0	0.05
653F400T	400:5A	1.0	4.0	0.10
653F500T	500:5A	1.0	6.5	0.12
653F600T	600:5A	1.0	10	0.14
653F750T	750:5A	1.0	15	0.19
653F1000T	1000:5A	1.0	15	0.22
653F1200T	1200:5A	1.0	20	0.27
653F1500T	1500:5A	1.0	20	0.42
653F1600T	1600:5A	1.0	25	0.45

* Use suffix "Lxx" at the end of part number to indicate lead wires where "xx" represents length in inches (e.g., L48 for 48" leads).