



Panel Components & Systems, Inc.
Tel.: +1 (800) 523-9194
+1 (973) 448-9400
www.pc-s.com

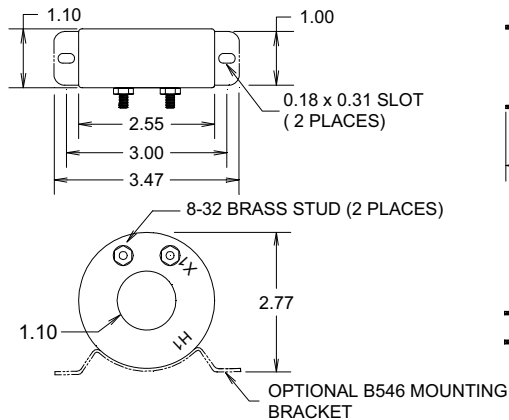
CURRENT TRANSFORMER MODEL 546

1.10" ID

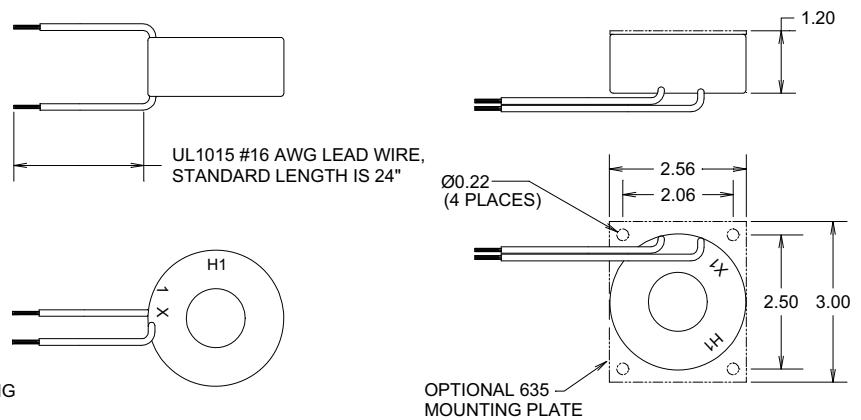
PAGE NO. 1-2

REV. 15DEC00

TERMINAL OPTION



LEAD WIRE OPTION



NOTE:
1) ALL DIMENSIONS IN INCHES
2) ALL DIMENSIONS REF ONLY



Specifications

- Secondary sources 5 amps AC at rated F.S. primary current
- Nominal operating frequency range is 50-400Hz
- Thermal rating factor is 1.33 @ 30°C for all ratios
- Insulation voltage class is 0.6KV BIL 10KV
- For indoor applications only
- Reference documents IEEE C57.13, UL1244, and IEC 44-1
- Enclosure is glass-filled nylon, color is black
- Optional plate is XX phenolic; optional bracket is steel

Options (Contact PC&S for Further Information)

- UL and Canadian UL Recognized Component. File E172027
- 2.0, 5.0 and 10VAC output at F.S. primary amperage. Other non-standard ratings also available.
- 1.0A, 0.2A and 0.1A output at F.S. primary amperage. Other non-standard ratings also available.
- 8-32 Brass Stud terminals or #16 AWG UL 1015 Lead Wires
- Custom lead wire lengths and types
- Thermal ratings above 1.33 for selected ratios.
- Center tap and custom multi tap winding arrangements

1.10" ID

PAGE NO. 2-2

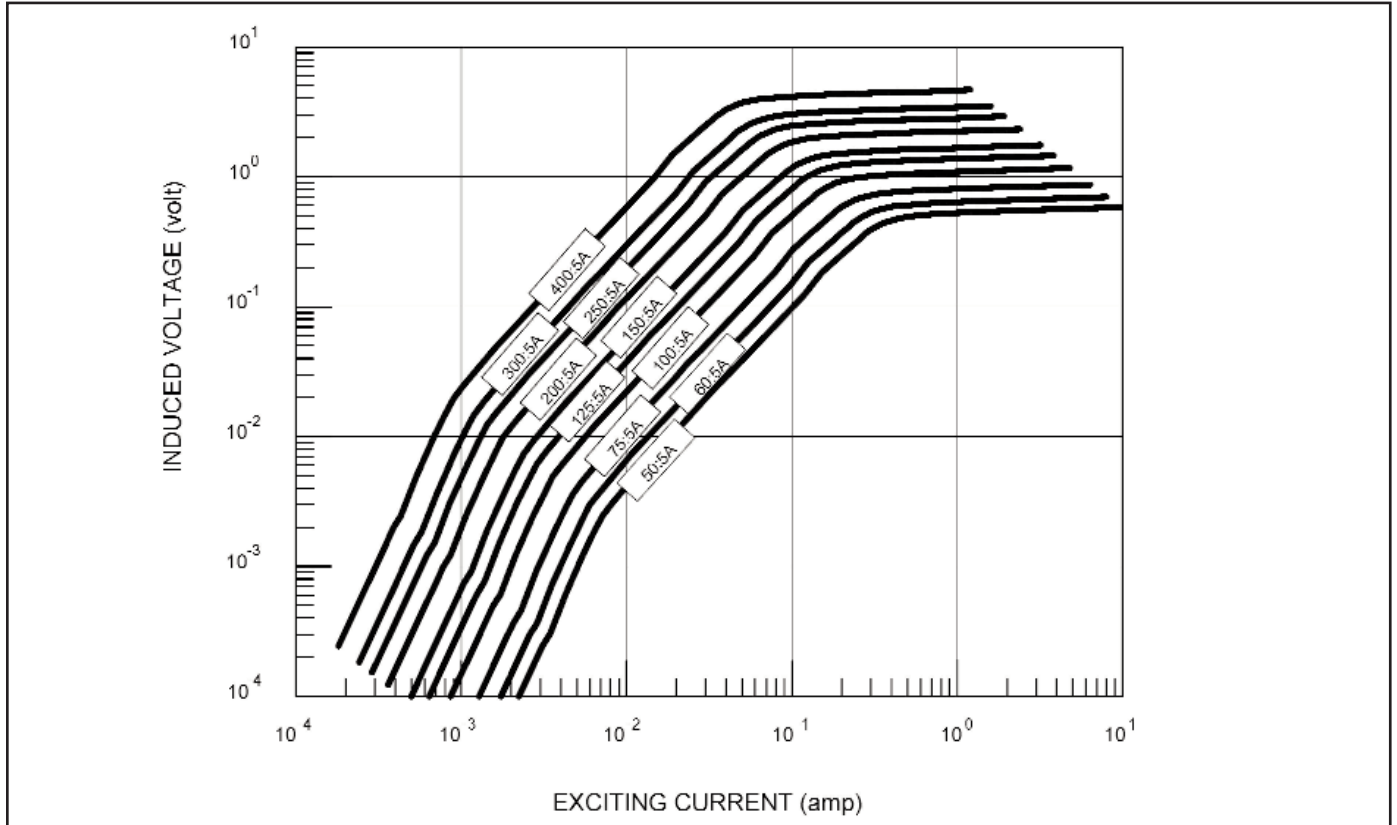
REV. 15DEC00

CURRENT TRANSFORMER MODEL 546



Panel Components & Systems, Inc.
Tel.: +1 (800) 523-9194
+1 (973) 448-9400
www.pc-s.com

TYPICAL EXCITATION CURVE FOR MODEL 546 at 60HZ



PART NUMBER*	RATIO	ACCURACY @ 60HZ, pf = 0.95		NOMINAL WINDING RESISTANCE (ohm)
		± %	BURDEN (VA)	
546-050-00-xxx	50:5A	3.0	2.0	0.007
546-060-00-xxx	60:5A	2.0	2.0	0.008
546-075-00-xxx	75:5A	2.0	2.0	0.01
546-100-00-xxx	100:5A	1.0	2.0	0.02
546-125-00-xxx	125:5A	1.0	2.5	0.025
546-150-00-xxx	150:5A	1.0	4.0	0.03
546-200-00-xxx	200:5A	1.0	5.0	0.04
546-250-00-xxx	250:5A	1.0	7.5	0.052
546-300-00-xxx	300:5A	1.0	10	0.062
546-400-00-xxx	400:5A	1.0	15	0.083

*"Lxxx" describes LEAD WIRE termination where "xxx" is the lead length in inches. For example, "L24" represents 24-inch long lead wires.