

TerraVac™ DH200

High Voltage, Single Pole, Single Throw,
Normally Open Contactor



Features

- Small, light weight, low cost sealed contactor with a current rating up to 500VDC
- Switch DC loads at both low and high voltage from 12V to 900V DC
- Coil power is very low, built-in coil, economizer is only 1.7W
- Applications include:
 - Electric control systems
 - Communications power supply
 - Solar/Photovoltaic equipment
 - Heavy truck
 - Emergency vehicles
 - Marine charging systems
 - Railroad and Light rail
 - Mining operations
 - Uninterruptible power supplies (UPS)
- Standards:
 - UL Approval (File E145623)
 - CCC
 - CE Mark
 - ISO9001:2008



Performance Data

Part Number	DH200
Contact Type	SPST-NO
Contact Continuous Current	225+ A DC (see Note 1 below)
Make/Break Current at Various Voltages	See Table 1
Contact Rating (operating voltage)	12-900V DC
Maximum switching current	2000A, 5msec (320V DC), 1 cycle
Contact Voltage Drop	Max. 80mV at 100A
Close (includes bouncing time), Max.	Max. 20ms
Contact Bouncing (on close)	Max. 7ms
Release Time (including arcing)	Max. 12ms
Vibration, Sinusoidal (10~2000Hz peak)	≤20g
Shock (11ms, 1/2 sine, peak, operating)	≤20g
Operating Ambient Temp. Range	-40°F to +185°F (-40°C to +85°C)
Storage Ambient Temp. Range	-55°F to +248°F (-55°C to +120°C)
Insulation Resistance	Min. 100M Ω @ 500V,DC
Dielectric Strength (between insulated electric parts)	2200V,AC 50/60Hz (1 minute)
Electrical Life	See Table 1 (on next page)
Mechanical Life	300,000 Operations
Optional Aux. Type	1 N/O (Normally Open)
Optional Aux. Contact Load Range	2A at 24V,DC / 3A at 125V,AC
Optional Aux. Contact Min. Load	100mA @ 12V
Mounted Direction	Bottom Mount (any direction)
Weight	1.21 lbs. (0.55kg)

Note 1:

Contact Continuous Current vs. AWG and Temp Rise @ 24 Deg C Ambient
 230A,DC - 1 x 4/0 Cable - 66 Deg C
 255A,DC - 1 x 250 MCM Cable - 70 Deg C
 310A,DC - 1 x 350 MCM Cable - 68 Deg C

Products constantly update. All specifications are subject to change without notice.
 For more information on this product, please contact:

PC&S, Inc. at +1 (800) 523-9194 or +1 (973) 448-9400

www.pc-s.com



DH200 High Voltage DC Contactor

Coil Operating Voltage

Voltage (will operate)	9-36V DC	32-95V DC
Voltage (max.)	36V DC	95V DC
Pickup (close) Voltage Max.	9V DC	32V DC
Hold Voltage (Min.)	7.5V DC	22V DC
Dropout (open) Voltage (Min.)	6V DC	18V DC
Inrush Current (Max.)	3.8A	1.3A
Holding Current (Avg.)	0.13A@12V, 0.07A@24V	0.03A@48V
Inrush Time (Max.)	130msec	130msec

Coil Operating Voltage

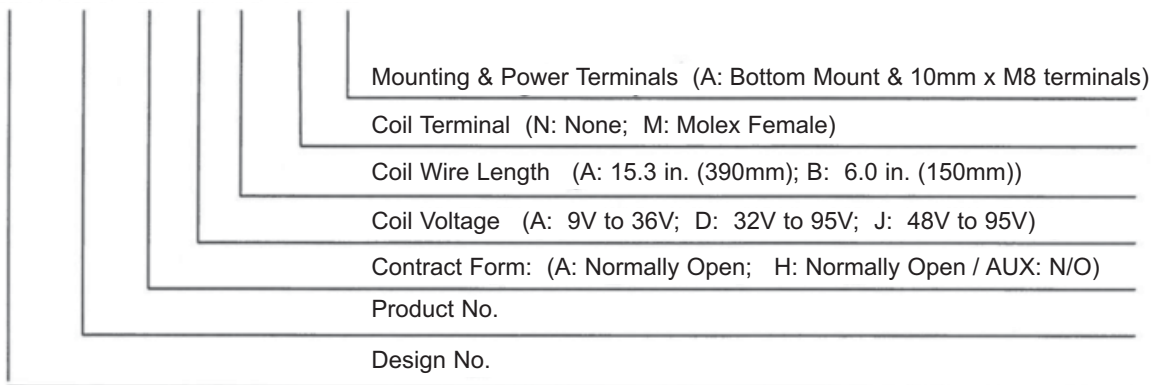
Voltage (will operate)	48-95V DC
Voltage (max.)	95V DC
Pickup (close) Voltage Max.	48V DC
Hold Voltage (Min.)	34V DC
Dropout (open) Voltage (Min.)	27V DC
Inrush Current (Max.)	0.7A
Holding Current (Avg.)	0.02A@72V
Inrush Time (Max.)	130msec



DH200 High Voltage DC Contactor

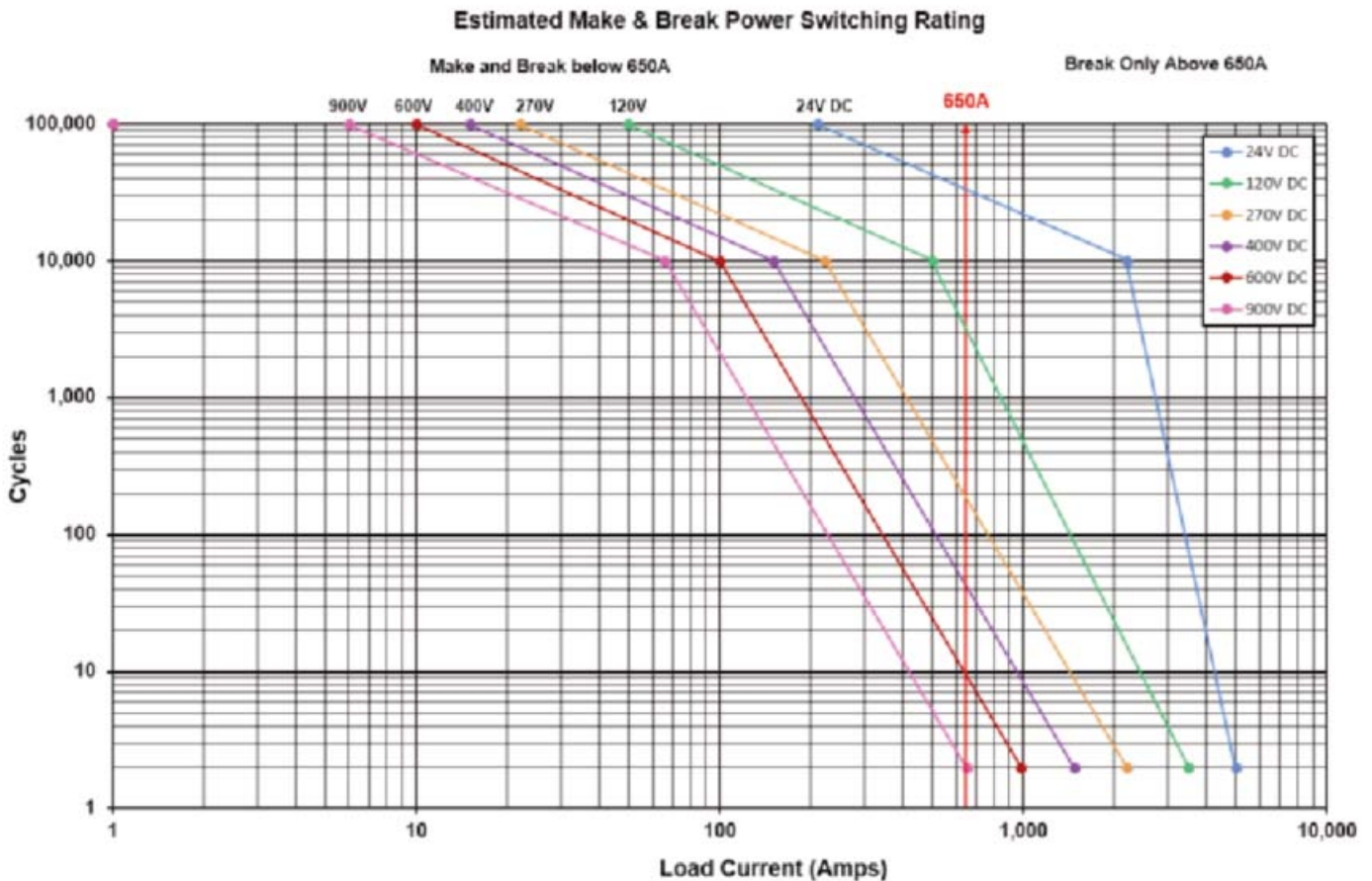
PART NUMBER SYSTEM:

DH 200 H A A N A



RESISTIVE LOAD UNDER DIFFERENT VOLTAGES:

Table 1: Current carry vs. Estimated Life (Cycles)

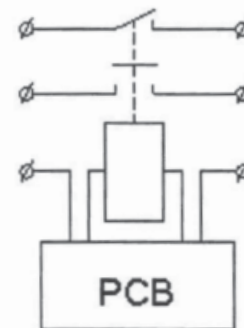
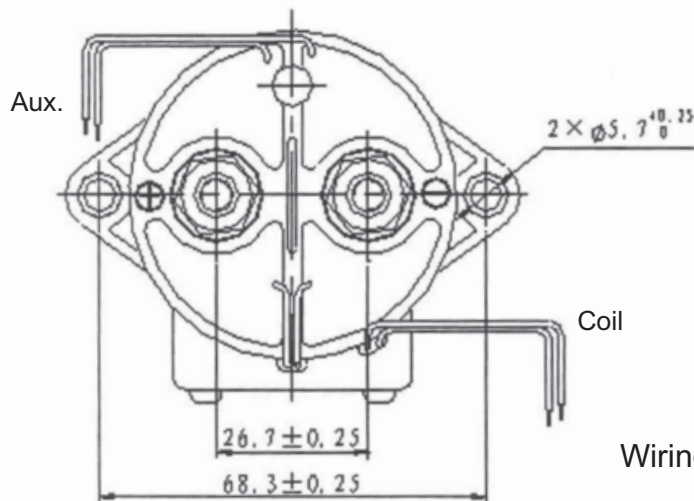
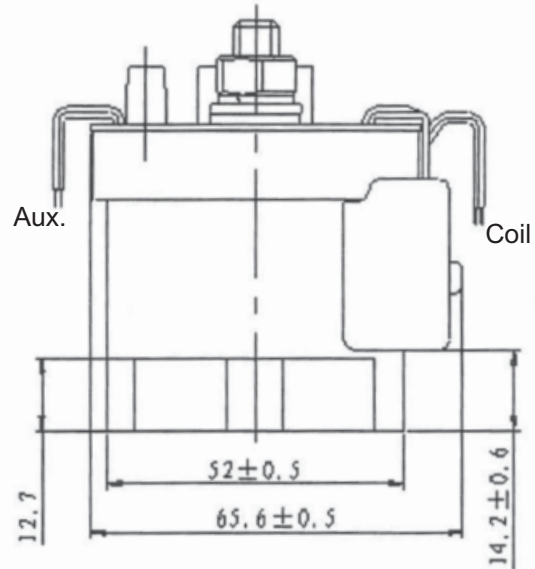
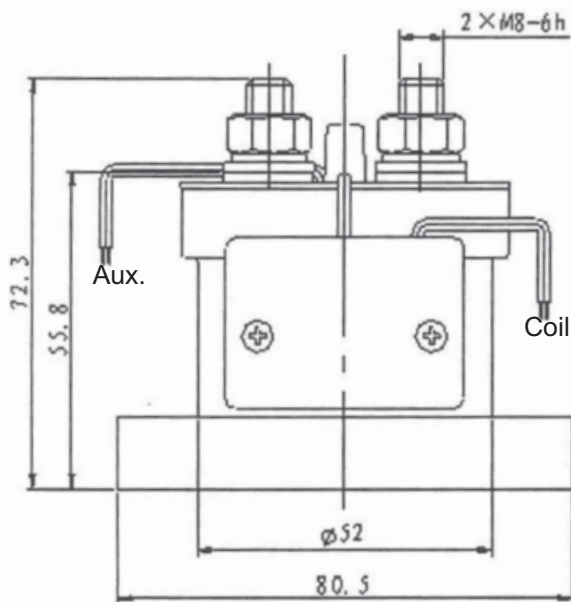


NOTE:

1. Electrical life is based on resistive loads, for resistive loads with 300μH maximum inductance.
2. The maximum make current is 650A to avoid contact welding.
3. End-of-life is defined as when the dielectric, insulation resistance or contact resistance exceeds the specification listed.

DIMENSIONS AND CIRCUIT DIAGRAM

(shown in mm)



Wiring:

Coil Conductors:

Red = + Coil

Black = - Coil

Aux Contact (optional)

White Conductors (N/O)