



DC Ammeter Shunts

STD Accuracy $\pm 0.25\%$

TYPE L: 800 through 1200 Amperes

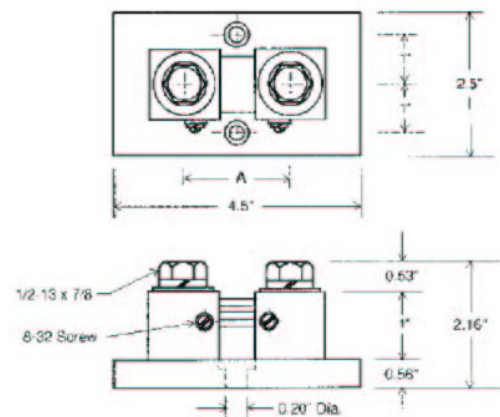


TYPE L: 50 mV

Catalog Number	AMP	A
L-800-50	800	2.16
L-1000-50	1000	2.16
L-1200-50	1200	2.16

TYPE L: 100 mV

Catalog Number	AMP	A
L-800-100	800	2.68
L-1000-100	1000	2.68
L-1200-100	1200	2.68



Product Overview

- Terminal blocks made of high quality brass to allow proper heat dissipation.
- Phenolic base
- Current: 800-1200 amp
- mV Output: 50mV and 100mV
- Accuracy Class: 0.5%
- Overload: 120% rated current continuously

Tolerances $\pm .015$ for the hole diameters.
Other tolerances $\pm .030$ unless specified.
Dimensions subject to change without notice.

Panel Components & Systems, Inc.

Tel.: 1 (800) 523-9194 ■ www.pc-s.com