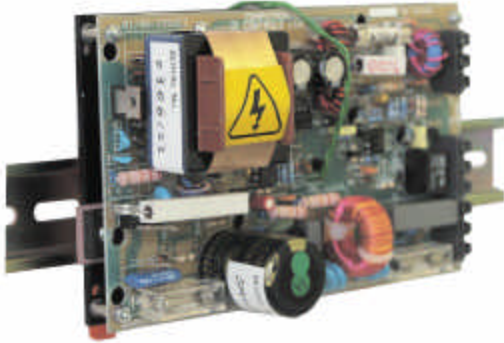


SM2 160 Range of Automatic Battery Chargers



- **High rate duty float charging**
12A @ 12V,DC - 6A @ 24V,DC output
- **Fully automatic charge regulation**
- **Optional DIN rail mounting**
- **Optional boost mode**
- **Charge fail relay output**

Description

The SM2 160 is a highly efficient high performance charger. The very smooth output is configured for accurate fast charging and optimum battery life and reliability. The charger is designed for continuous float charging and standby battery applications. Due to its very smooth output (< 1% ripple) the charger is suitable for sealed or vented batteries. The wide input voltage range, from 95-277V,AC allows the charger to be used with all common single phase voltages with no adjustment. Switch mode technology is a major advance in power supply and battery charger design, giving low heat dissipation compact low weight design and ease of panel installation via DIN rail. Utilizing the benefits of switch mode, the charger will give a constant current output up to its Knee point (13 Volts on 12 Volt LA) and then ramp down to its float voltage. This gives the optimum charge time to ensure that the battery voltage is maintained at the pre-calibrated float level, while supplying any additional standing load current up to the specified maximum.

Boost option

A 'boost' mode of operation provides increased voltage output. Selection of boost mode is via three terminals, allowing activation by a time delay relay or switch. The calibration table overleaf shows details of float and boost voltages.

Charge fail

A self diagnostic 'charge fail' circuit and relay output is provided as standard. The volt free relay de-energizes in the event of a charging fault.

Volt Sense

The volt sense monitors the voltage on the battery, automatically adjusting the charge output, to compensate for voltage drop in the charging cables.

Product Specification

Power Supply:

Nominal Operating Voltages	95-277V,AC
Nominal Operating Frequency	47-400Hz

DC Charge Output:

Output Current A,DC	6	12
Nominal Voltage V,DC	24	12
Line Regulation	< 1%	
Load Regulation	< 1%	
Output Ripple	< 1%	
Float / Boost Voltages	see table overleaf	

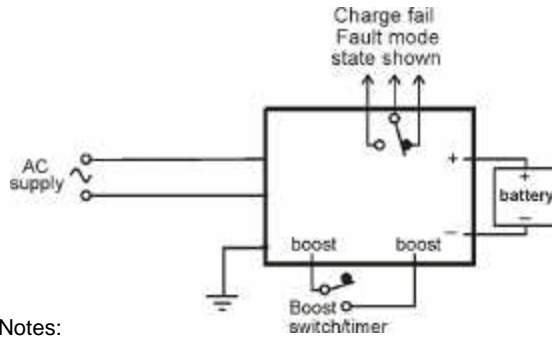
Charge Fail Output:

Relay Type	volt free SPDT contacts relay de-energized on fault
Contact Rating	1A @ 30V,DC (resistive load)

General:

Operating Temperature	-10 to +55°C
Overall Dimensions (w x h x d)	100mm x 50mm x 160mm (3.9" x 1.9" x 6.3")
Weight	0.45Kg (1.0lbs)
EMC Emission / Immunity	EN 58801-2 / EN50082-2

Electrical connection



Notes:

- 1) battery output is isolated from chassis
- 2) chassis must be connected to a low impedance earth

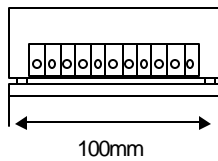
Calibration

Battery type		float volts (V,DC)	boost volts (V,DC)
12V	Lead Acid (6 cells)	13.6	14.1
	Ni-Cd (10 cells)	14.2	14.7
24V	Lead Acid (12 Cells)	27.2	28.2
	Ni-Cd (18 Cells)	25.6	26.6
	Ni-Cd (20 Cells)	28.4	29.4

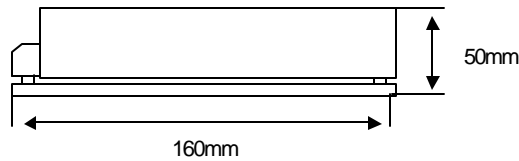
The above are factory standard settings. Specials are available on request.

Dimensions

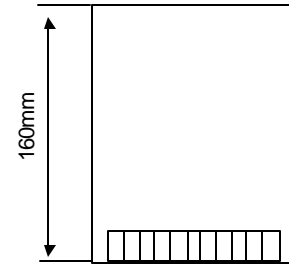
END VIEW



SIDE VIEW



PLAN VIEW



How to order

When ordering, please specify -

PRODUCT	Nominal Output V,DC		Nominal Output Current		OPTIONS		
	12	24	12	6	Spade Connections	Manual Boost	DIN Rail Mounting
SM21601212	•		•		•		
SM2160245		•		•		•	•

INPUT VOLTAGE	
CODE	95-277V,AC
CD	•

BATTERY TYPE				
	Lead Acid	10 Cell Ni Cad	18 Cell Ni Cad	20 Cell Ni Cad
LA	•			
10		•		
18			•	
20				•

Product	Input volts	Battery type	Options	Options	Options
SM21601212	CD	LA	MB	DIN	

The above 3 part number codes must be filled in to complete your order.

Insert options when required, if no options are required, leave empty.

SM21601212

CD

LA

MB

DIN

The above example shows the order code for a 95-277V,AC input, 12V@12A,DC output charger, calibrated for a vented lead acid battery, and with manual boost and DIN rail mounting option.

North American Distributor - PC & S / Panel Components & Systems, Inc.		
149 Main Street Stanhope New Jersey 07874 Phone (800) 523 9194 Fax (973) 448 1674	213 Jespersen Avenue Spruce Grove Alberta T7X 2J1 Phone (877) 962 0557 Fax (780) 962 0557	8539 Monroe Road (Suite 104) Charlotte North Carolina 28212 Phone (704) 535 3357 Fax (704) 535 6288